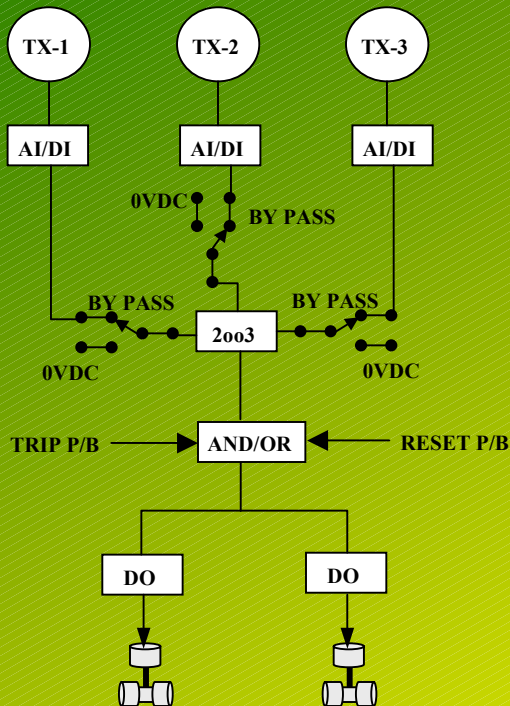


## HIGH INTEGRITY PRESSURE PROTECTION SYSTEM



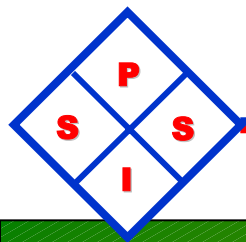
### FEATURES

- > 3 SENSORS
- > Deviations Between Sensors
- > Maintenance Out of Service Alarms
- > Remote Diagnostics Display
- > Remote/LOCAL Valve Reset

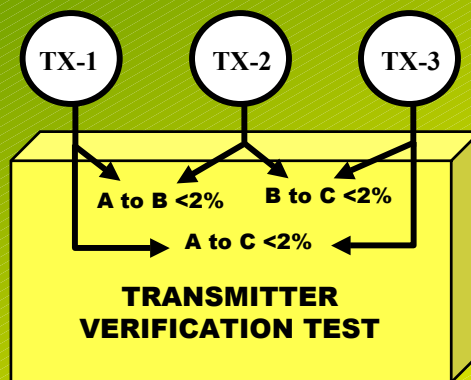
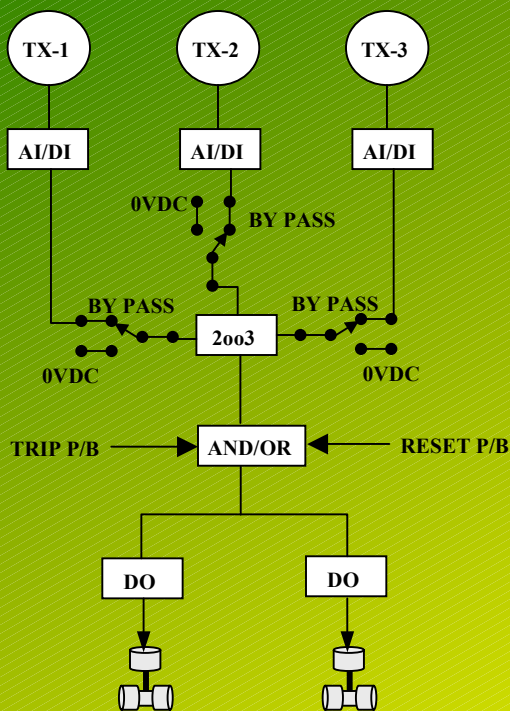


# HIPPS

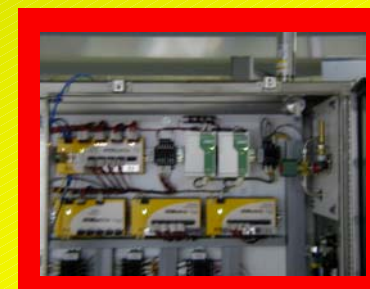
## PIPELINE, PROCESS – WELLHEADS to FLARES



## HIGH INTEGRITY PRESSURE PROTECTION SYSTEM

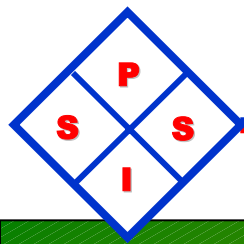


# HIPPS

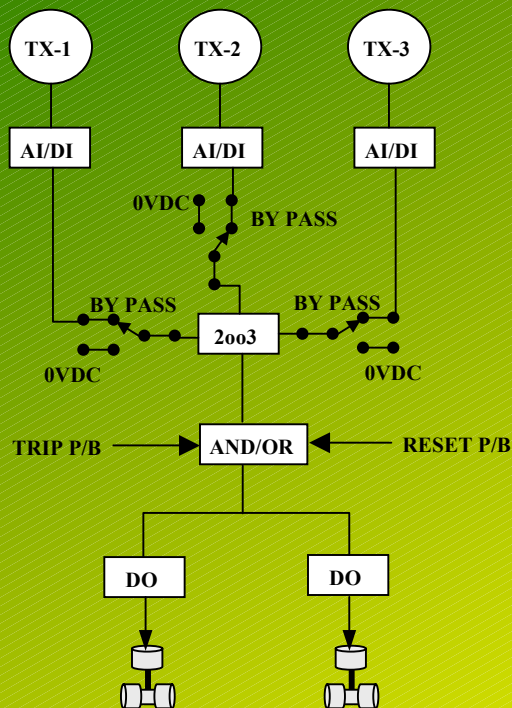


### “3” TRANSMITTER SELECTION

- BAD “PV” TESTING
- >2% DEVIATION TESTING



## HIGH INTEGRITY PRESSURE PROTECTION SYSTEM



TRICONEX - TMR  
SIEMENS - SIMPLEX or DUAL  
ROCKWELL - SIMPLEX

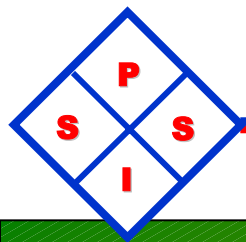


# HIPPS

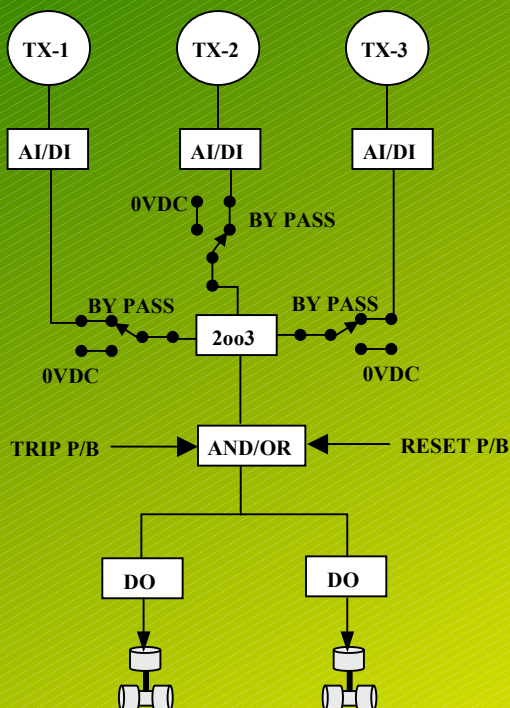
### LOGIC SOLVER

- PROGRAMMABLE - SIMPLEX, DUAL or TMR
- HARDWIRED - SIMPLEX or DUAL

## HIPPS LOGIC SOLVERS



## HIGH INTEGRITY PRESSURE PROTECTION SYSTEM



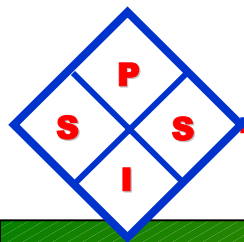
### FEATURES

- > Deviations Between Sensors
  - ✓ > + 2% Alarming Only
  - ✓ > + 2% Sensor Disabling Feature
- > Maintenance Out of Service Alarms
  - ✓ Active Process Alarms During MOS
  - ✓ By Pass Sensor Status Timer Alarm
- > Remote Diagnostics Display
  - ✓ Alarming of Any Hardware Failure
- > Remote Valve Reset
  - ✓ Supports Local Reset at Each Valve
  - ✓ Supports Local Valve Testing



# HIPPS

## PIPELINE, PROCESS – WELLHEADS to FLARES



**SafePlex Systems, Inc.**

HOUSTON, TEXAS

Systems, Products, Services, Integrity

[Sales@safeplexsystems.com](mailto:Sales@safeplexsystems.com)

**FOR MORE DETAILS CONTACT**

**SAFEPLEX SYSTEMS, INC.**

**TEL: 713.983.8410**

**E-MAIL: [sales@safeplexsystems.com](mailto:sales@safeplexsystems.com)**

**CLIENT DRIVEN PROVIDER OF SYSTEMS, PRODUCTS AND SERVICES**